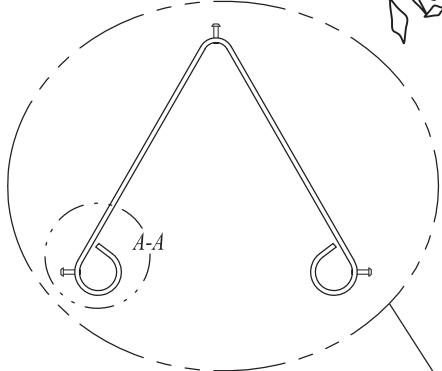


3 STAKE CROSS BRACE

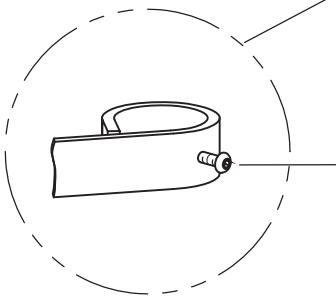


3 STAKE CROSS BRACE

TWO SIZES
 15 GALLON – 24" BOX
 24" – 36" BOX



- MODEL 100 – 2.00" ID
- MODEL 150 – 2.30" ID
- MODEL 300 – 2.95" ID

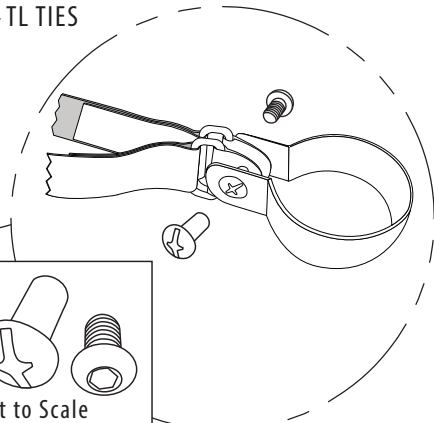


1/4-20 SELF-TAPPING SCREW

**CROSS BRACE
 SCROLL SIZE**

- MODEL 100 – 2.00" ID
- MODEL 150 – 2.30" ID
- MODEL 300 – 2.95" ID

TL TIE, TIE SLEEVE, & BOLT

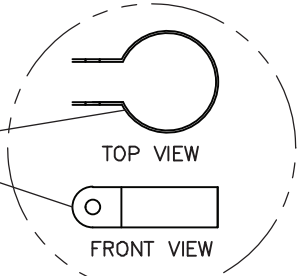


Not to Scale

SLEEVE SIZES:

- MODEL 100 – 1.98" ID
- MODEL 150 – 2.40" ID
- MODEL 300 – 3.00" ID

**TL TIE SLEEVE
 See more detail above**



SLEEVE SIZES:

- MODEL 100 – 1.98" ID
- MODEL 150 – 2.40" ID
- MODEL 300 – 3.00" ID

GREEN SLEEVES® THREE STAKE SYSTEM

ISOMETRIC VIEW

SCALE: NTS

**INSTRUCTIONS
 ON NEXT PAGE**

• GREEN SLEEVES •

Adjustable Tree Staking Systems



The Revolutionary Tree Staking System

— designed by Landscape
Maintenance Contractors

THE GREENSLEEVES THREE-STAKE SYSTEM

Installation Instructions

- Place Cross Brace on ground and use as Template for where to place the stakes. Mark, then remove cross brace and install stakes.
- Braces and Sleeves slide over tree stakes in chosen order.
- Position Sleeves. Tighten Hex Screw.
- Open Hook & Loop Tie.
- Place Tie around tree trunk and re-connect to Hook & Loop.
- Do not over-tighten. Allow for trunk movement.
- Adjust as needed over months of growth.
- Remove System within 24 months.
- Re-use System for another tree!
- No nails
- Simple installation
- Made in USA
- Member SF Made
- Certified San Francisco LBE

The Greensleeves System is Reusable.

- Use for 2", 3" round, 1 1/2" x 1 1/2" wooden stake—Model 100S, 1 1/2" schedule 40 galvanized pipe—Model 100. Stakes should be driven a minimum of 1ft. below bottom of rootball
- Adjustable Cross Brace for 15 Gal., 24" Box, 36" Box, 48" Box trees ensures the stakes are placed outside of rootball
- Easy vertical and horizontal adjustment of Sleeves and Ties
- Tie length is customized to each Cross Brace for 15 Gal., 24" Box, 36" Box, 48" Box

Please visit our website to see our complete line of products, and to see and download our architectural drawings and written specs.

(415) 490-6744 Voice robert@greensleeves.com
7678 Sonoma Hwy 12, Santa Rosa, CA 95409-6611

www.greensleeves.com